

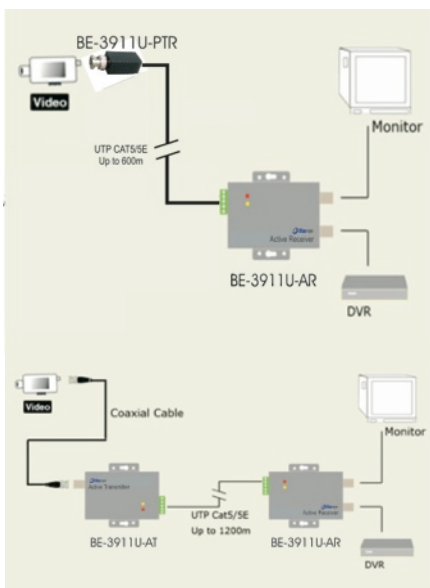
BE - 3911U-AR 1 Channel Active UTP Receiver



Features :

- 1 channel Video Passive balun (UTP Converter)/Transceiver
- Real-time & high-performance video signal over UTP cable
- Built-in amplification circuit provides dual output for two destinations
- Adjustable switch to control quality image levels
- Can be used as Receiver only, 12V DC power required
- Transmission distance up to 600m with 1Ch/4Ch Passive Transmitter
- Transmission distance up to 1200m with 1Ch/4Ch Active Transmitter
- Compatible with PAL, NTSC, SECAM formats
- Built-in Surge & Transient protection, Super interference rejection

Schematic :



Specifications :

Power Properties	Power Connectors	Green terminal block
	Adaptive Voltage Arrange	12V-40V DC or 9V-24V AC(50Hz)
	Power Consumption	<1.5w
Video Transmitting properties	Compatible with	PAL, NTSC, SECAM
	Signal Band	250MHz(-3db)
	Balance Band	0-6MHz
	Interference Rejection	>75dB
	Attenuation	<1.5dB
Connection Properties	Video Connector	2* BNC-F, Impedance: 75Ω
	UTP Cable Connector	Green terminal block; Impedance: 100Ω
	Impedance	100Ω
Indicators	Power/Video LED	Red/Yellow
Video Adjustment	Adjusting Switches	4 Blue Switches
	Adjusting Categories	For Passive Balun: 0-50m, 50-250m, 250-400m, 400-500m, 500-700m For Active Balun: 0-600m, 150-750m, 300-900m, 450-1050m, 600-1200m
Protections	Video Input Protection (as transmitter)	2KV(common mode), 10/700us IEC61000-4-5/1955
	Video Output Protection (as transmitter)	2KV(different mode), 4KV (common mode)10/700us IEC61000-4-5/1955
	Input Protection for Over Current	100mA Maximum
Physical Properties	Dimensions	115*83*22mm (LWH)
	Housing Material	Metal
	Unit Color	Silver white
	Net Weight	190g
Environmental	Operating Temp	-20°C ~ +70°C
	Relative Humidity	0 ~ 95%(non-condensing)
	Storage Temp	-40°C ~ +150 °C
Casing	Gross Weight	202.4g
	Casing Volume	125 x 85 x 30mm (LWH)