

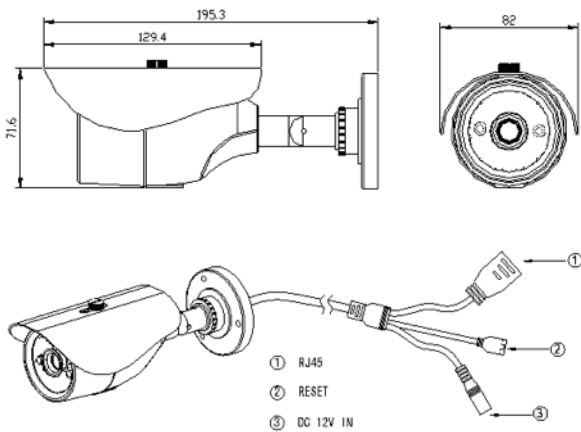
BE-4810BFP-IR15

H.264, 1.0 MP IP IR Bullet Camera



Features :

- 1/4" 1.0 Megapixels CMOS sensor
- H.264 Main Profile & MJPEG dual-stream
- Max 25/30fps@1.0MP (1280 x 720)
- Digital WDR, 2D , 3D NR, AWB, AGC, BLC
- Fixed Lens 4mm
- Multiple Network Monitoring: Web viewer, CMS, Smart phone.
- 15m IR Distance
- Support Defogging
- 3-Axis Rotational.
- IP66
- Micro SD Card Slot (max 64GB)
- Built-in POE



Specifications :

Image Sensor	1/4" 1.0 Megapixel OmniVision CMOS sensor
Effective Pixels	1280 x 720
Scanning System	Progressive
Electronics Shutter Speed	Auto(1/25,1/30~1/10000s)
Min . Illumination	0.1Lux/F1.2 (Colour), 0.05 Lux/F1.2 (B/W);
S/N Ratio	>50db
Camera Features	
IR Distance	10 ~ 15m Max
Day/Night	Color / B / W
Backlight Compensation	BLC / HLC / WDR(digital)
White Balance	Auto
Gain Control	Auto
Noise Reduction	2D , 3D
Privacy Masking	Up to 4 Area
Lens	
Focal Length	4mm
Max Aperture	F1.4
Focus Control	Manual
Lens Type	Fixed Iris (Fixed lens)
Mount Type	Board –in Type
Video	
Compression	H.264 High Profile, Main Profile, Baseline / MJPEG
Resolution	1280x720, 640 x352 , 320x240, 116x112
Frame Rate	Preferred Stream : 1280x720(1~25/30fps)
	Alternate Stream : 960x528, 640x 352, 480x256(1~25/30fps)
Bit Rate	32KB ~ 16KB Mbps , support VBR , CBR
Network	
Ethernet	RJ-45 (10/100Base-T)
Protocol	IPV4/IPV6, HTTP, TCP/IP, UDP, RTP, RTCP,UPNP, RTSP, SMPT, NTP, DHCP, DNS, PPPoE , DDNS, FTP
ONVIF	ONVIF Ver.2.0
Max .User Access	10 users
Smart Phone	iPhone, iPad , Android , Symbian
Auxiliary Interface	
Memory Slot	Micro SD , Max 64GB
General	
Power Supply	DC12V, POE (802.3af)
Power Consumption	≤ 2W
Temperature	-20°C ~ 60°C
Ingress Protection	IP66
Dimension	195.3 x 82 x 71.6 mm
Weight	0.5 KG