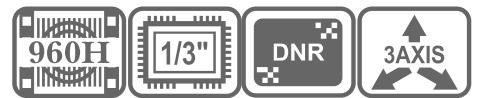




QPC-7100D

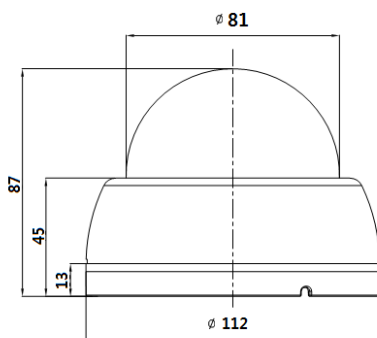
700TVL, OSD, 3-Axis Dome Camera

- 700TVL
- 960H Resolution
- OSD,AWB,SLBC
- 3-Axis Dome



Features :

- 1/3" 960H IT HAD CCD
- High Resolution: More than 700 TV Lines
- High Color Reproduction
- Min. illumination 0.02Lux
- Day & Night
- DNR (Digital Noise Reduction)
- 3Axis Dome
- 3.6mm Fixed Lens



Specification :

Model	QPC-7100D
Image Sensor	1/3" IT CCD
Total / Effective Pixels	1020(H)X596(V) 570K
Horizontal Resolution	700 TV Lines (960H)
Lens	DC Iris Fixed Lens (f=3.6mm)
Iris Control	Electronic
Signal System	PAL
Scanning System	2:1 Interlace
Scanning Frequency (H)/(V)	15.625 KHz / 50 Hz
Video Output	1.0V p-p (75Ω Composite)
S/N Ratio	More than 50dB(AGC Off)
Min.illumination	0.2 Lux (50IRE) @ F1.2
OSD	English, Chinese
Digital Noise Reduction	Low, Middle, High, Off
White Balance	Auto
AGC	On/Off
SBLC	Off, Low, Middle,High
Shutter Speed	1/50-1/120,000Sec.
Manual Shutter Speed	1/50 ~ 1/120K Sec
Supplied Voltage	DC 12V
Power Consumption	Max. 2.2W / 180mA
Operating humidity	30 % ~ 90 % RH
Operating temperature	- 10°C to 50°C
Dimensions (OxH)	87mm (H) x 81 mm Ø
Weight	Approx. 340g